

LT-880 DMX/RDM CV Decoder



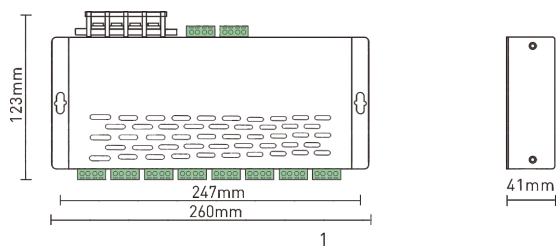
LT-880 with the standard RDM remote device management protocol, supports DMX512 signal bi-directional communication, achieves remote management of reading and writing DMX address (DMX master controller must recognize the RDM protocol).

This compact decoder works with DMX512 console. Realize 0-100% brightness and various changing effect. Equipped with DMX standard XLR-3, RJ45 and green terminal interface, easy to operate. And it can control single color, bi-color, RGB LED lights.

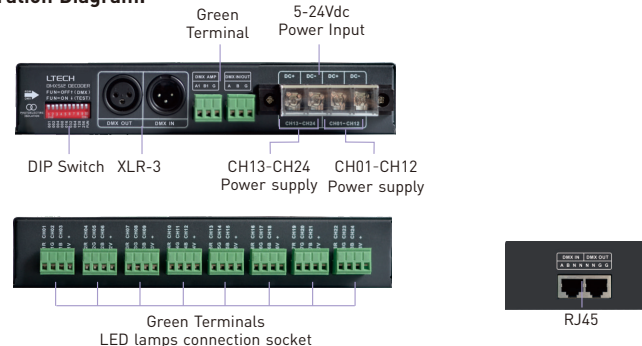
1. Product Parameter:

LT-880		
Input Signal:	DMX512/RDM	Output DMX Channel: 24CH
Input Voltage:	5-24Vdc	Working Temperature: -30°C~65°C
Max Current Load:	3A×24CH Max 72A	Dimensions: L260×W123×H41mm
Max Output Power:	[0-15...72W]×24CH Max. 1728W	Package Size: L276×W128×H46mm
DMX512 Socket:	XLR-3, RJ45, Green Terminal	Weight(G.W.): 885g
Photoelectric Isolate:	Yes	

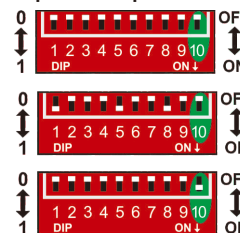
2. Product Size:



3. Configuration Diagram:



4. Dip Switch Operation:



RDM Mode: The dip switch 1-10 are OFF.

DMX Mode: FUN=OFF (the 10th dip switch=OFF)
Setting DMX addresses with dip switch 1-9

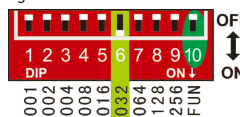
Self-testing Mode: FUN=ON (the 10th dip switch=ON)

4.1 How to set DMX address via dip switch:

FUN=OFF (the 10th dip switch=OFF) **DMX Mode**

DMX address value = the total value of {1-9}, to get the place value when in "ON" position, otherwise will be 0.

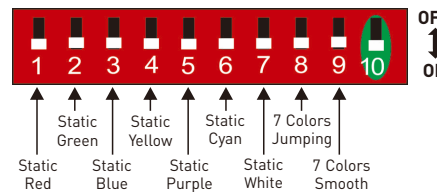
E.g.1: Set Initial Address To 32. E.g.2: Set Initial Address To 37. E.g.3: Set Initial Address To 178.



4.2 Self-testing Mode:

FUN=ON (the 10th dip switch = ON) **Self-testing Mode**

Dip Switch	1-9=off	1=on	2=on	3=on	4=on	5=on	6=on	7=on	8=on	9=on
Self-test Function	Static Black	Static Red	Static Green	Static Blue	Static Yellow	Static Purple	Static Cyan	Static White	7 Colors Jumping	7 Colors Smooth

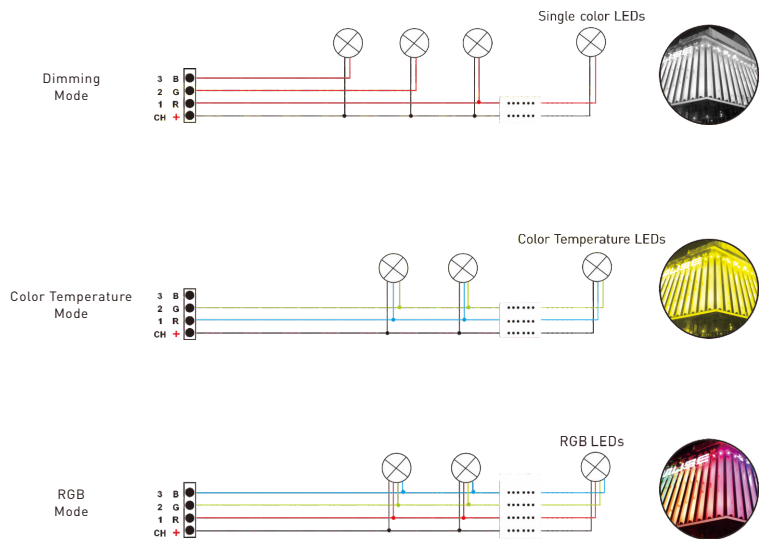
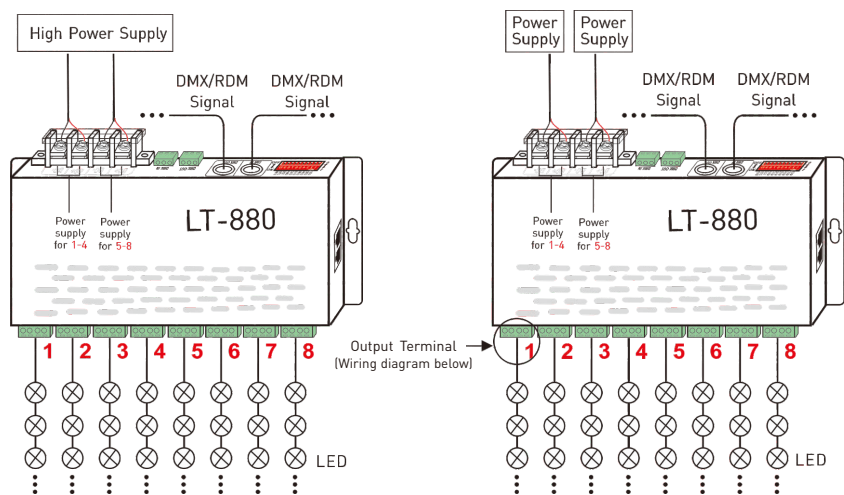


For changing effects (Dip Switch 8/9=on):
DIP switch 1-7 is used to realize 7 speed levels. (7=on, the fastest level)

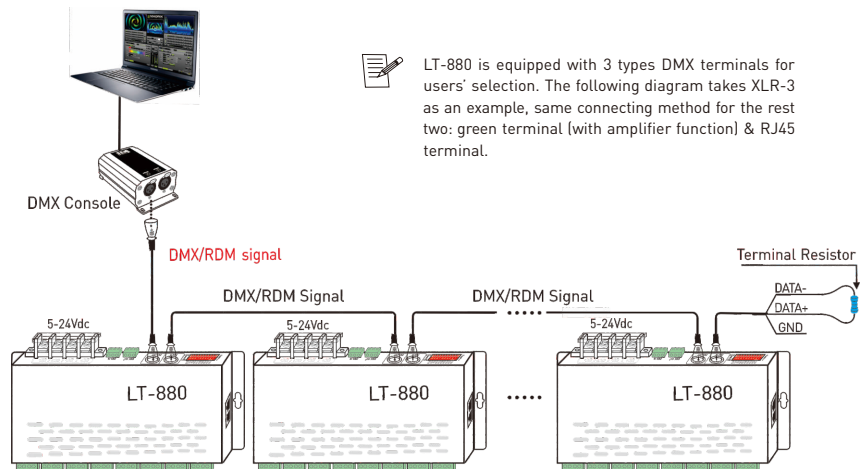
[Attn] When several dip switches are on, subjected to the highest switch value.
As the figure above shows, the effect will be 7 colors smooth at 7 speed level.

5. Wiring Diagram:

5.1 Connecting LED lights:



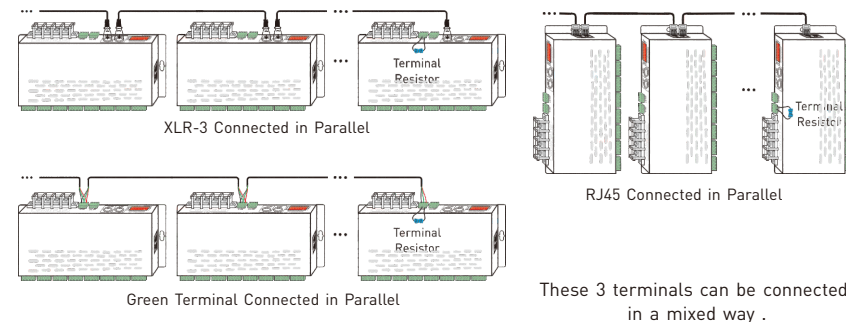
5.2 DMX console connection:



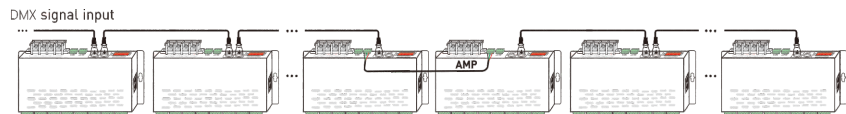
LT-880 is equipped with 3 types DMX terminals for users' selection. The following diagram takes XLR-3 as an example, same connecting method for the rest two: green terminal (with amplifier function) & RJ45 terminal.

- * If the recoil effect occurs because of longer signal line or bad line quality, please try to connect 0.25W 90-120Ω terminal resistor at the end of each line.
- * An amplifier is needed when more than 32 decoders are connected, signal amplification should not be more than 5 times continuously.

5.3 The connection diagram of three DMX terminals:



5.4 The connection diagram of AMP signal amplifier terminal:



- * AMP interface can be used for signal amplification when too many DMX decoder are connected or signal line is too long, signal amplification should be no more than 5 times continuously.