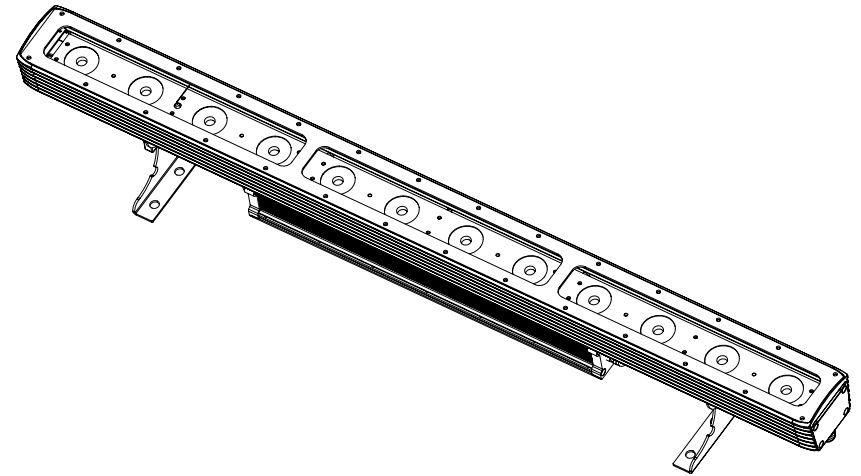




WIFLY EXR QAI2BAR IP



ADJ Products, LLC
6122 S. Eastern Ave. Los Angeles, CA 90040 USA
Tel: 323-582-2650 / Fax: 323-725-6100
Web: www.adj.com / E-mail: info@americandj.com
A.D.J. Supply Europe B.V.
Junostraat 2
6468 EW Kerkrade
Netherlands

Follow Us On:



facebook.com/americandj
twitter.com/americandj
youtube.com/adjlighting

service@adjgroup.eu / www.adj.eu
Tel: +31 45 546 85 00 / Fax: +31 45 546 85 99

User Instructions



©2015 ADJ Products, LLC all rights reserved. Information, specifications, diagrams, images, and instructions herein are subject to change without notice. ADJ Products, LLC logo and identifying product names and numbers herein are trademarks of ADJ Products, LLC. Copyright protection claimed includes all forms and matters of copyrightable materials and information now allowed by statutory or judicial law or hereinafter granted. Product names used in this document may be trademarks or registered trademarks of their respective companies and are hereby acknowledged. All non-ADJ Products, LLC brands and product names are trademarks or registered trademarks of their respective companies.

ADJ Products, LLC and all affiliated companies hereby disclaim any and all liabilities for property, equipment, building, and electrical damages, injuries to any persons, and direct or indirect economic loss associated with the use or reliance of any information contained within this document, and/or as a result of the improper, unsafe, insufficient and negligent assembly, installation, rigging, and operation of this product.

Europe Energy Saving Notice

Energy Saving Matters (EuP 2009/125/EC)

Saving electric energy is a key to help protecting the environment. Please turn off all electrical products when they are not in use. To avoid power consumption in idle mode, disconnect all electrical equipment from power when not in use. Thank you!

WiFly EXR QA12Bar IP

Specifications

Model: WiFly EXR QA12Bar IP

Voltage:	100V ~ 240V/50~60Hz
LEDs:	12 x 5W Quad LEDs (RGBA 4-in-1)
IP Rating:	65
Beam Angle:	25 Degrees
Working Position:	Any safe working position
Power Draw:	75W Total (All LED's Full On)
Power Cord Daisy Chain:	11 Fixtures Max.
Weight:	14lbs./ 6.4Kgs.
Dimensions:	40.5" (L) x 5.5" (W) x 6" (H) 1030 x 140 x 155mm
Colors:	RGBA Color Mixing
DMX Channels:	7 DMX Modes: 4 Channel Mode, 5 Channel Mode, 7 Channel Mode, 9 Channel Mode, 10 Channel Mode 12 Channel Mode, & 14 Channel Mode
Warranty:	2 Year (730 days) Limited Warranty

Auto Sensing Voltage: This fixture contains a automatic voltage switch, which will auto sense the voltage when it is plugged into the power source.

Please Note: Specifications and improvements in the design of this unit and this manual are subject to change without any prior written notice.

Unpacking: Thank you for purchasing the WiFly EXR QA12Bar IP by ADJ Products, LLC. Every WiFly EXR QA12Bar IP has been thoroughly tested and has been shipped in perfect operating condition. Carefully check the shipping carton for damage that may have occurred during shipping. If the carton appears to be damaged, carefully inspect your fixture for any damage and be sure all accessories necessary to operate the unit has arrived intact. In the case damage has been found or parts are missing, please contact our toll free customer support number for further instructions. Do not return this unit to your dealer without first contacting customer support.

Introduction: The ADJ WiFly EXR QA12Bar IP is an IP65 outdoor rated, DMX intelligent, LED wash fixture with ADJ's WiFly TransCeiver with wireless DMX built-in. This unit give you the freedom to set up your fixture where ever you wish without the restrictions of power or DMX cabling. This fixture can be used in a stand alone mode or connected in a Master/Slave configuration. The WiFly EXR QA12Bar IP has five operating modes: Program mode, Auto Run mode, RGBA dimmer mode, Static Color mode, and DMX control mode.

Customer Support: ADJ Products, LLC provides a customer support line, to provide set up help and to answer any question should you encounter problems during your set up or initial operation. You may also visit us on the web at www.adj.com for any comments or suggestions. Service Hours are Monday through Friday 8:00 a.m. to 4:30 p.m. Pacific Standard Time.

Voice: (800) 322-6337

Fax: (323) 582-2941

E-mail: support@AmericanDJ.com

Warning! To prevent or reduce the risk of electrical shock or fire, do not expose this unit to rain or moisture.

Caution! There are no user serviceable parts inside this unit. Do not attempt any repairs yourself, doing so will void your manufactures warranty. In the unlikely event your unit may require service please contact ADJ Products, LLC.

PLEASE recycle the shipping carton when ever possible.

WiFly EXR QA12Bar IP

Features

- IP65 Outdoor Rating
- Multi-Colors
- Five Operating Modes
- 22 Built-In Programs
- Electronic Dimming 0-100%
- 5 Dimmer Curves
- DMX-512 protocol
- 7 DMX Channel Modes: 4 Channel Mode, 5 Channel Mode, 7 Channel Mode, 9 Channel Mode, 10 Channel Mode, 12 Channel Mode, & 14 Channel Mode
- Built-In WiFly Wireless DMX
- ADJ RFC compatible (Not Included)
- Power Cable Daisy Chain (See page 27)

WiFly EXR QA12Bar IP

Warranty Registration

The WiFly EXR QA12Bar IP carries a 2 year limited warranty. Please fill out the enclosed warranty card to validate your purchase. All returned service items whether under warranty or not, must be freight pre-paid and accompany a return authorization (R.A.) number. The R.A. number must be clearly written on the outside of the return package. A brief description of the problem as well as the R.A. number must also be written down on a piece of paper included in the shipping carton. If the unit is under warranty, you must provide a copy of your proof of purchase invoice. You may obtain a R.A. number by contacting our customer support team on our customer support number. All packages returned to the service department not displaying a R.A. number on the outside of the package will be returned to the shipper.

WiFly EXR QA12Bar IP

Installation

The unit should be mounted using a mounting clamp (not provided), affixing it to the mounting bracket that is provided with the unit. Always ensure that the unit is firmly fixed to avoid vibration and slipping while operating. Always ensure that the structure to which you are attaching the unit is secure and is able to support a weight of 10 times the unit's weight. Also, always use a safety cable that can hold 12 times the weight of the unit when installing the fixture. The equipment must be installed by a professional, and it must be installed in a place where it is out of the reach of people's grasp.

WiFly EXR QA12Bar IP

Warranty

MANUFACTURER'S LIMITED WARRANTY

- A. ADJ Products, LLC hereby warrants, to the original purchaser, ADJ Products, LLC products to be free of manufacturing defects in material and workmanship for a prescribed period from the date of purchase (see specific warranty period on reverse). This warranty shall be valid only if the product is purchased within the United States of America, including possessions and territories. It is the owner's responsibility to establish the date and place of purchase by acceptable evidence, at the time service is sought.
- B. **For warranty service you must obtain a Return Authorization number (RA#) before sending back the product—please contact ADJ Products, LLC Service Department at 800-322-6337.** Send the product only to the ADJ Products, LLC factory. All shipping charges must be pre-paid. If the requested repairs or service (including parts replacement) are within the terms of this warranty, ADJ Products, LLC will pay return shipping charges only to a designated point within the United States. If the entire instrument is sent, it must be shipped in its original package. No accessories should be shipped with the product. If any accessories are shipped with the product, ADJ Products, LLC shall have no liability whatsoever for loss of or damage to any such accessories, nor for the safe return thereof.
- C. This warranty is void if the serial number has been altered or removed; if the product is modified in any manner which ADJ Products, LLC concludes, after inspection, affects the reliability of the product; if the product has been repaired or serviced by anyone other than the ADJ Products, LLC factory unless prior written authorization was issued to purchaser by ADJ Products, LLC; if the product is damaged because not properly maintained as set forth in the instruction manual.
- D. This is not a service contract, and this warranty does not include maintenance, cleaning or periodic check up. During the period specified above, ADJ Products, LLC will replace defective parts at its expense with new or refurbished parts, and will absorb all expenses for warranty service and repair labor by reason of defects in material or workmanship. The sole responsibility of ADJ Products, LLC under this warranty shall be limited to the repair of the product, or replacement thereof, including parts, at the sole discretion of ADJ Products, LLC. All products covered by this warranty were manufactured after August 15, 2012, and bear identifying marks to that effect.
- E. ADJ Products, LLC reserves the right to make changes in design and/or improvements upon its products without any obligation to include these changes in any products theretofore manufactured.

No warranty, whether expressed or implied, is given or made with respect to any accessory supplied with products described above. Except to the extent prohibited by applicable law, all implied warranties made by ADJ Products, LLC in connection with this product, including warranties of merchantability or fitness, are limited in duration to the warranty period set forth above. And no warranties, whether expressed or implied, including warranties of merchantability or fitness, shall apply to this product after said period has expired. The consumer's and/or Dealer's sole remedy shall be such repair or replacement as is expressly provided above; and under no circumstances shall ADJ Products, LLC be liable for any loss or damage, direct or consequential, arising out of the use of, or inability to use, this product.

This warranty is the only written warranty applicable to ADJ Products, LLC Products and supersedes all prior warranties and written descriptions of warranty terms and conditions heretofore published.

MANUFACTURER'S LIMITED WARRANTY PERIODS:

- **Lighting Products = 1-year (365 days) Limited Warranty** (Such as: Special Effect Lighting, Intelligent Lighting, UV lighting, Strobes, Fog Machines, Bubble Machines, Mirror Balls, Par Cans, Trussing, Lighting Stands etc. excluding LED and lamps)
 - **Laser Products = 1 Year (365 Days) Limited Warranty** (excluding laser diodes which have a 6 month limited warranty)
 - **L.E.D. Products = 2-year (730 days) Limited Warranty** (excluding motors, PCB boards, and power supplies, which have a 1-year (365 day Limited Warranty) and rechargeable batteries which have a 180 day limited warranty). Only the L.E.D.s carry a 2-year warranty (**excluding StarTec Series which carries a 90 Day Limited Warranty**)
 - **ADJ DMX Controllers = 2 Year (730 Days) Limited Warranty** (excluding faders and tact switches)
- ADJ Products, LLC - www.adj.com - WiFly EXR QA12Bar IP User Manual Page 28

With this feature you can connect the fixtures to one another using a IP rated connector cable (sold separately). The quantity that can be connected is 11 fixtures maximum. After 11 fixtures you will need to use a new power outlet. They must be the same fixtures. DO NOT mix fixtures.

Listed below are a few common problems the user may encounter, with solutions.

Unit not responding to DMX:

1. Check that the DMX cables are connected properly and are wired correctly (pin 3 is “hot”; on some other DMX devices pin 2 may be ‘hot’). Also, check that all cables are connected to the right connectors; it does matter which way the inputs and outputs are connected.

Due to fog residue, smoke, and dust cleaning the internal and external optical lenses must be carried out periodically to optimize light output.

1. Use normal glass cleaner and a soft cloth to wipe down the outside casing.
2. Clean the external optics with glass cleaner and a soft cloth every 20 days.
3. Always be sure to dry all parts completely before plugging the unit back in.

Cleaning frequency depends on the environment in which the fixture operates (i.e. smoke, fog residue, dust, dew).

IP65

IP65 RATED

An IP rated lighting fixture is one, which is commonly installed in outdoor environments and has been designed with an enclosure that effectively protects the ingress (entry) of external foreign objects such as dust and water. The **International Protection (IP)** rating system is commonly expressed as “IP” (Ingress Protection) followed by two numbers (i.e. IP65) where the numbers define the degree of protection. The first digit (Foreign Bodies Protection) indicates the extent of protection against particles entering the fixture and the second digit (Water Protection) indicates the extent of protection against water entering the fixture. An IP65 rated lighting fixture is one, which has been designed and tested to protect against the ingress of dust (6) and high-pressure water jets from any direction (5).



MARINE/COASTAL ENVIRONMENT INSTALLATIONS!

Please note although this fixture is IP rated, the fixture is **NOT** suitable for marine and/or coastal environment installations. Installing this fixture in a marine and/or coastal environment may cause corrosion and/or excessive wear to the interior and/or exterior components of the fixture. Damages and/or performance issues resulting from installation in a marine and/or coastal environment will void the manufactures warranty and will **NOT** be subject to any warranty claims and/or repairs.



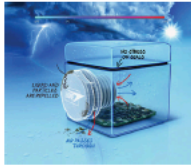
Ensure **ALL** connections and end caps are properly sealed with a non-conductive dielectric grease (available at most electrical suppliers) to prevent water ingress/condensation and/or corrosion.



OPTIONAL CORROSION-RESISTANT COATING

Optional Corrosion-Resistant Coatings may be available for this fixture. Please consult your **Elation Professional** sales representative for details.

PROTECTIVE VENT



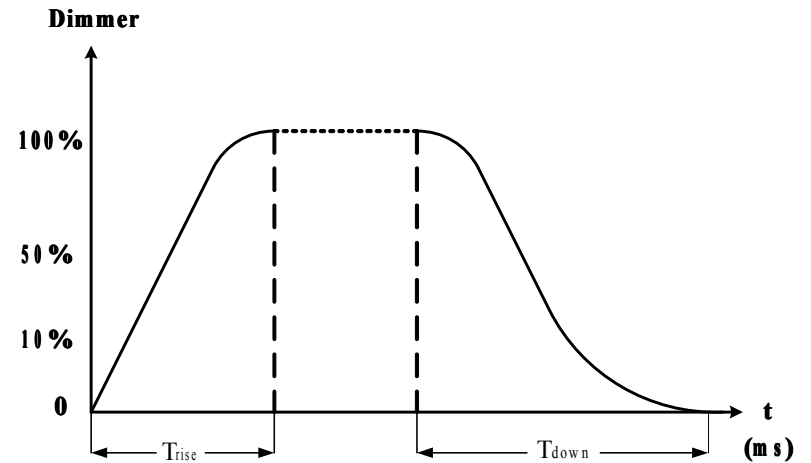
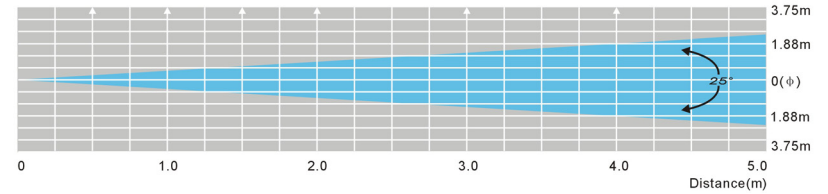
This IP rated fixture features a protective vent valve that equalizes the pressure, prevents contamination, and reduces condensation, ultimately extending the lifetime of the fixture.



IMPORTANT MUST READ

If this fixture is installed in an extreme and/or harsh outdoor/wet environment, it **MUST** be powered ON and used for a minimum of 30 minutes every 10-15 days. Prolonged exposure to an extreme and/or harsh outdoor/wet environment without usage as stated above can lead to component damage and/or shortening the lifetime of the fixture. Any component damage found to be as a direct result of not following this guideline may void the limited warranty.

R	D25	1676	925	557	373	252	lux
G	D25	1581	806	466	291	197	
B	D25	1880	827	441	293	200	
A	D25	871	544	264	160	101	
RGBA	D25	5120	2350	1435	874	496	



DMX delay / Delay mode	Trise(ms)	Tdown(ms)
dr-0	0	0
dr-1	800	1300
dr-2	1010	1560
dr-3	1200	1950
dr-4	1280	2600

Color No.	DMX VAULE	RGBA COLOR INTENSITY			Color No.	DMX VAULE	RGBA COLOR INTENSITY			
		RED	GREEN	BLUE			AMBER	RED	GREEN	BLUE
Color1 (off)	0	0	0	0	Color34	129-132	255	206	143	0
Color2	1-4	80	255	234	Color35	133-136	254	177	153	0
Color3	5-8	80	255	164	Color36	137-140	254	192	138	0
Color4	9-12	77	255	112	Color37	141-144	254	165	98	0
Color5	13-16	117	255	83	Color38	145-148	254	121	0	0
Color6	17-20	160	255	77	Color39	149-152	176	17	0	0
Color7	21-24	223	255	83	Color40	153-156	96	0	11	0
Color8	25-28	255	243	77	Color41	157-160	234	139	171	0
Color9	29-32	255	200	74	Color42	161-164	224	5	97	0
Color10	33-36	255	166	77	Color43	165-168	175	77	173	0
Color11	37-40	255	125	74	Color44	169-172	119	130	199	0
Color12	41-44	255	97	77	Color45	173-176	147	164	212	0
Color13	45-48	255	71	77	Color46	177-180	88	2	163	0
Color14	49-52	255	83	134	Color47	181-184	0	38	86	0
Color15	53-56	255	93	182	Color48	185-188	0	142	208	0
Color16	57-60	255	96	236	Color49	189-192	52	148	209	0
Color17	61-64	238	93	255	Color50	193-196	1	134	201	0
Color18	65-68	196	87	255	Color51	197-200	0	145	212	0
Color19	69-72	150	90	255	Color52	201-204	0	121	192	0
Color20	73-76	100	77	255	Color53	205-208	0	129	184	0
Color21	77-80	77	100	255	Color54	209-212	0	83	115	0
Color22	81-84	67	148	255	Color55	213-216	0	97	166	0
Color23	85-88	77	195	255	Color56	217-220	1	100	167	0
Color24	89-92	77	234	255	Color57	221-224	0	40	86	0
Color25	93-96	158	255	144	Color58	225-228	209	219	182	0
Color26	97-100	255	251	153	Color59	229-232	42	165	85	0
Color27	101-104	255	175	147	Color60	233-236	0	46	35	0
Color28	105-108	255	138	186	Color61	237-240	8	107	222	0
Color29	109-112	255	147	251	Color62	241-244	107	156	231	0
Color30	113-116	151	138	255	Color63	245-248	165	198	247	0
Color31	117-120	151	138	255	Color64	249-252	0	0	189	0
Color32	121-124	138	169	255	Color65	253-255	255	255	255	0
Color33	125-128	255	255	255						

- To reduce the risk of electrical shock or fire, do not expose this unit rain or moisture
- Do not spill water or other liquids into or on to your unit.
- Do not attempt to operate this unit if the power cord has been frayed or broken. Do not attempt to remove or break off the ground prong from the electrical cord. This prong is used to reduce the risk of electrical shock and fire in case of an internal short.
- Disconnect from main power before making any type of connection.
- Do not remove the cover under any conditions. There are no user serviceable parts inside.
- Never operate this unit when it's cover is removed.
- Never plug this unit in to a dimmer pack
- Always be sure to mount this unit in an area that will allow proper ventilation. Allow about 6" (15cm) between this device and a wall.
- Do not attempt to operate this unit, if it becomes damaged.
- This unit is intended for indoor use only, use of this product out doors voids all warranties.
- During long periods of non-use, disconnect the unit's main power.
- Always mount this unit in safe and stable matter.
- Power-supply cords should be routed so that they are not likely to be walked on or pinched by items placed upon or against them, paying particular attention to the point they exit from the unit.
- Cleaning -The fixture should be cleaned only as recommended by the manufacturer. See page 27 for cleaning details.
- Heat -The appliance should be situated away from heat sources such as radiators, heat registers, stoves, or other appliances (including amplifiers) that produce heat.
- The fixture should be serviced by qualified service personnel when:
 - A. The power-supply cord or the plug has been damaged.
 - B. Objects have fallen, or liquid has been spilled into the appliance.
 - C. The appliance has been exposed to rain or water.
 - D. The appliance does not appear to operate normally or exhibits a marked change in performance.

WiFly EXR QA12Bar IP

Set Up

Power Supply: The ADJ WiFly EXR QA12Bar IP contains an automatic voltage switch, which will auto sense the voltage when it is plugged into the power source. With this switch there is no need to worry about the correct power voltage, this unit can be plugged in anywhere.

DMX-512: DMX is short for Digital Multiplex. This is a universal protocol used as a form of communication between intelligent fixtures and controllers. A DMX controller sends DMX data instructions from the controller to the fixture. DMX data is sent as serial data that travels from fixture to fixture via the DATA “IN” and DATA “OUT” XLR terminals located on all DMX fixtures (most controllers only have a DATA “OUT” terminal).

DMX Linking: DMX is a language allowing all makes and models of different manufactures to be linked together and operate from a single controller, as long as all fixtures and the controller are DMX compliant. To ensure proper DMX data transmission, when using several DMX fixtures try to use the shortest cable path possible. The order in which fixtures are connected in a DMX line does not influence the DMX addressing. For example; a fixture assigned a DMX address of 1 may be placed anywhere in a DMX line, at the beginning, at the end, or anywhere in the middle. When a fixture is assigned a DMX address of 1, the DMX controller knows to send DATA assigned to address 1 to that unit, no matter where it is located in the DMX chain.

DMX Cable Requirements: The WiFly EXR QA12Bar IP can be controlled via DMX-512 protocol. The WiFly EXR QA12Bar IP has 7 DMX channel modes, please see page 11 for the different modes. The DMX address is set on the back panel of the WiFly EXR QA12Bar IP.

Cable Requirements: This fixture is designed with special cables for both DMX and power. These cables are specifically designed to maintain the integrity of the IP rating. When using this fixture outdoors be sure to ONLY use the ADJ cables that have been manufactured to meet the IP rating.

“First” DMX Cables - Special DMX “First” cables may be purchased from ADJ to provide a means of data communication with standard DMX fixtures for indoor use. These cables will come with the IP rated twist lock connector on one end and either a 3-pin XLR male or female connector

WiFly EXR QA12Bar IP

14 Channel Mode

Channel	Value	Function
1	0 - 255	RED 1 0% - 100%
2	0 - 255	GREEN 1 0% - 100%
3	0 - 255	BLUE 1 0% - 100%
4	0 - 255	AMBER 1 0% - 100%
5	0 - 255	RED 2 0% - 100%
6	0 - 255	GREEN 2 0% - 100%
7	0 - 255	BLUE 2 0% - 100%
8	0 - 255	AMBER 2 0% - 100%
9	0 - 255	RED 3 0% - 100%
10	0 - 255	GREEN 3 0% - 100%
11	0 - 255	BLUE 3 0% - 100%
12	0 - 255	AMBER 3 0% - 100%
13	0 - 255	MASTER DIMMER 0% - 100%
14	0 - 31 32 - 63 64 - 95 96 - 127 128 - 159 160 - 191 192 - 223 224 - 255	STROBING LED OFF LED ON STROBING SLOW - FAST LED ON PULSE STROBING SLOW - FAST LED ON RANDOM STROBING SLOW - FAST LED ON

WiFly EXR QA12Bar IP		12 Channel Mode
Channel	Value	Function
1	0 - 255	RED 1 0% - 100%
2	0 - 255	GREEN 1 0% - 100%
3	0 - 255	BLUE 1 0% - 100%
4	0 - 255	AMBER 1 0% - 100%
5	0 - 255	RED 2 0% - 100%
6	0 - 255	GREEN 2 0% - 100%
7	0 - 255	BLUE 2 0% - 100%
8	0 - 255	AMBER 2 0% - 100%
9	0 - 255	RED 3 0% - 100%
10	0 - 255	GREEN 3 0% - 100%
11	0 - 255	BLUE 3 0% - 100%
12	0 - 255	AMBER 3 0% - 100%

WiFly EXR QA12Bar IP **Set Up**

on the other depending on model. Be sure to only use these cables for intergrading this fixture in a standard DMX chain.

“First” Power Cable – A special power “First” cable is included with every fixture. This cables is used to provide power to your fixture. This cable comes with the IP rated twist lock connector on one end and a standard Edison 3-prong, grounded prong on the other end. Be sure to only use this cable for power distribution and never attempt to connect this cable to the DMX lines.

You can chain multiple fixtures together through serial linking. Using the IP rated signal cables provided through ADJ. Always be sure to daisy-chain your in and out data connections, never split or “Y” your DMX connections unless you are using an approved DMX splitter such as the ADJ WiFly D6 Branch or the original D6 Branch (Both not IP rated).

Special Note: Line Termination. When longer runs of cable are used, you may need to use a terminator on the last unit to avoid erratic behavior. A terminator is a 110-120 ohm 1/4 watt resistor which is connected between pins 2 and 3 of a male XLR connector (DATA + and DATA -). This unit is inserted in the female XLR connector of the last unit in your daisy chain to terminate the line. Using a cable terminator (ADJ part number Z-DMX/T) will decrease the possibilities of erratic behavior.



Termination reduces signal errors and avoids signal transmission problems and interference. It is always advisable to connect a DMX terminal. (Resistance 120 Ohm 1/4 W) between PIN 2 (DMX-) and PIN 3 (DMX +) of the last fixture.

5-Pin XLR DMX Connectors. Some manufactures use 5-pin DMX-512 data cables for DATA transmission in place of 3-pin. 5-pin DMX fixtures may be implemented in a 3-pin DMX line. When inserting standard 5-pin data cables in to a 3-pin line a cable adaptor must be used, these adaptors are readily available at most electric stores. The chart below details a proper cable conversion.

3-Pin XLR to 5-Pin XLR Conversion		
Conductor	3-Pin XLR Female (Out)	5-Pin XLR Male (In)
Ground/Shield	Pin 1	Pin 1
Data Compliment (- signal)	Pin 2	Pin 2
Data True (+ signal)	Pin 3	Pin 3
Not Used		Do Not Use
Not Used		Do Not Use

LCD Display Lock:

The display will lock after 30 seconds. Press and hold the MODE button for at least 10 seconds to unlock the display and access the menu.

LED Display Backlight On/Off:

To set the LED display backlight to turn off after 30 seconds, press the MODE button until “OTHER” is displayed. Press the SET UP button until BLGT:XXX” is displayed. “XXX” represents either ON or OFF. Press the UP or DOWN buttons so that OFF is displayed. Now the display light will turn off after 30s. Press any button to turn the display backlight on again.

Operating Modes:

The WiFly EXR QA12Bar IP has five operating modes:

- Static Color Mode - There are 64 colors to choose from.
- RGBA Mode - Choose one of the four colors to remain static or adjust the intensity of each color to make your desired color.
- Auto Run - Will run a mixture of color fade and color change.
- Built-In Program mode - Select 1 of 22 built-in programs to run. Program speed, fade, and strobing is adjustable.
- DMX control mode - This function will allow you to control each individual fixtures traits with a standard DMX 512 controller.

RGBA Dimmer Mode:

In this mode you can adjust RGBA colors to create your own color. You can also use the color macro chart on page 23 to create one of the 64 color macros.

1. Plug the fixture in and press the MODE button until “MANUAL” is displayed. Use the SET UP button to scroll through RGBA colors.
2. When “RED:XXX” is displayed you are in Red dimming mode. Use the UP and DOWN buttons to adjust intensity.
3. When “GREN:XXX” is displayed you are in Green dimming mode. Use the UP and DOWN buttons to adjust intensity.
4. When “BLUE:XXX” is displayed you are in Blue dimming mode. Use the UP and DOWN buttons to adjust intensity.
5. When “AMBE:XXX” is displayed you are in Amber dimming mode. Use the UP and DOWN buttons to adjust intensity.
6. After you have set your desired color you can activate strobing

Channel	Value	Function
8	126 - 135	PROGRAMS
	136 - 145	PROGRAM 12
	146 - 155	PROGRAM 13
	156 - 165	PROGRAM 14
	166 - 175	PROGRAM 15
	176 - 185	PROGRAM 16
	186 - 195	PROGRAM 17
	196 - 205	PROGRAM 18
	206 - 215	PROGRAM 19
	216 - 225	PROGRAM 20
	226 - 235	PROGRAM 21
236 - 255	PROGRAM 22	
9	0 - 255	AUTO PROGRAM
9	0 - 255	PROGRAM SPEED SLOW - FAST
10	0 - 20	DIMMER CURVES
	21 - 40	STANDARD
	41 - 60	STAGE
	61 - 80	TV
	81 - 100	ARCHITECTURAL
	101 - 255	THEATRE
		DEFAULT TO UNIT SETTING

WiFly EXR QA12Bar IP		10 Channel Mode
Channel	Value	Function
1	0 - 255	RED 0% - 100%
2	0 - 255	GREEN 0% - 100%
3	0 - 255	BLUE 0% - 100%
4	0 - 255	AMBER 0% - 100%
5	0 - 255	COLOR MACROS See the Color Macro Chart on page 25
6	0 - 255	MASTER DIMMER 0% - 100%
7	0 - 31 32 - 63 64 - 95 96 - 127 128 - 159 160 - 191 192 - 223 224 - 255	STROBING LED OFF LED ON STROBING SLOW - FAST LED ON PULSE STROBING SLOW - FAST LED ON RANDOM STROBING SLOW - FAST LED ON
8	0 - 15 16 - 25 26 - 35 36 - 45 46 - 55 56 - 65 66 - 75 76 - 85 86 - 95 96 - 105 106 - 115 116 - 125	PROGRAMS OFF PROGRAM 1 PROGRAM 2 PROGRAM 3 PROGRAM 4 PROGRAM 5 PROGRAM 6 PROGRAM 7 PROGRAM 8 PROGRAM 9 PROGRAM 10 PROGRAM 11

WiFly EXR QA12Bar IP	Operating Instructions
	<p>by pressing the SET UP button until “STRO.XX” is displayed. The strobe can be adjusted between 00 (strobe off) to 15 (fastest strobe).</p> <p>Auto Run Mode: In this mode the WiFly EXR QA12Bar IP will run a auto fade program.</p> <ol style="list-style-type: none"> 1. Plug the fixture in and press the MODE button until “AUTO RUN FADE:XX” is displayed. “XX” represents the fade speed. 2. Use the UP and DOWN buttons to adjust the fade speed. Adjust the speed between “01” (fastest) and “99” (slowest) or “00” (Off). 3. After you have set your desired fade speed you can activate strobing by pressing the SET UP button. “STRO.XX” will now be displayed. The strobe can be adjusted between 00 (strobe off) to 15 (fastest strobe). <p>Static Color Mode:</p> <ol style="list-style-type: none"> 1. Plug the fixture in and press the MODE button until “CLR MACS COLOR: XX” is displayed. “XX” represents the current color number displayed (00-64). 2. There are 64 colors to choose from. Scroll through the 64 colors using the UP and DOWN buttons. After you have found your desired color you can activate strobing by pressing the SET UP button. 3. “STRO.XX” will be displayed. The strobe can be adjusted between 00 (strobe off) to 15 (fastest strobe). <p>Program Mode:</p> <ol style="list-style-type: none"> 1. Plug the fixture in and press the MODE button until “PROGRAM PRO:XX is displayed. “XX” represents a number from 1-22. Use the UP or DOWN buttons to scroll through the 22 programs. Programs 21 & 22 have adjustable colors. Once you have found your desired program press the SET UP button. 2. Pressing the SET UP button will display “SPEED:XX”. When this is displayed you can adjust the running speed of your desired program. Use the UP or DOWN button to adjust the speed between “01” (slowest) and “99” (fastest). Once you have set your desired running speed, you can press the SET UP button to enter the fade adjustment mode. 3. Pressing the SET UP button will display “FADE:XX”. When this is

WiFly EXR QA12Bar IP

Operating Instructions

displayed you can adjust the fade speed of your desired program. Use the UP or DOWN button to adjust the speed between “01” (fastest) and “99” (slowest) or “00” (Off).

4. Press the SET UP button again and “STRO:XX” will be displayed. This is strobe adjustment, you can adjust the strobe speed of your desired program using the UP or DOWN buttons. You can adjust the speed between “01” (fastest) and “15” (slowest) or “00” (Off).
- **PROGRAMS 21 & 22** - If you have chosen either programs 21 or 22, after the strobe adjustment, press the SET UP button. “BACK:XX” will be displayed. This is the base or background color, use the UP and DOWN buttons to scroll through the different color settings. Once you have chosen your base color, press the SET UP button again so that “COLO:XX” is displayed. This is the moving color, use the UP and DOWN buttons to scroll through the different colors.

DMX Mode:

Operating through a DMX controller gives the user the freedom to create their own programs tailored to their own individual needs. This function also allows you to use your fixtures as spot lights. The WiFly EXR QA12Bar IP has 7 DMX modes: 4 Channel mode, 5 Channel mode, 7 Channel mode, 9 Channel mode, 10 Channel mode, 12 Channel mode, and a 14 Channel mode. See pages 15-22 for each mode’s DMX traits.

1. This function will allow you to control each individual fixture’s traits with a standard DMX 512 controller.
2. To run your fixture in DMX mode press the MODE button until “DMX MODE ADDR:XXX” is displayed. “XXX” represents the displayed DMX address. Use the UP or DOWN buttons to scroll through and find your desired DMX address.
3. After you have set your DMX address press the SET UP button so that “CHAN:XX” is displayed. “XX” represents the current DMX Channel mode that is displayed. Use the UP or DOWN buttons to scroll through the DMX Channel modes.
4. After you have chosen your desired DMX Channel mode plug in the fixture via the XLR connections to any standard DMX controller.

WiFly EXR QA12Bar IP

9 Channel Mode

Channel	Value	Function
8	126 - 135	PROGRAMS
	136 - 145	PROGRAM 12
	146 - 155	PROGRAM 13
	156 - 165	PROGRAM 14
	166 - 175	PROGRAM 15
	176 - 185	PROGRAM 16
	186 - 195	PROGRAM 17
	196 - 205	PROGRAM 18
	206 - 215	PROGRAM 19
	216 - 225	PROGRAM 20
	226 - 235	PROGRAM 21
	236 - 255	PROGRAM 22
9		AUTO PROGRAM
	0 - 255	PROGRAM SPEED SLOW - FAST

WiFly EXR QA12Bar IP		9 Channel Mode
Channel	Value	Function
1	0 - 255	RED 0% - 100%
2	0 - 255	GREEN 0% - 100%
3	0 - 255	BLUE 0% - 100%
4	0 - 255	AMBER 0% - 100%
5	0 - 255	COLOR MACROS See the Color Macro Chart on page 25
6	0 - 255	MASTER DIMMER 0% - 100%
7	0 - 31 32 - 63 64 - 95 96 - 127 128 - 159 160 - 191 192 - 223 224 - 255	STROBING LED OFF LED ON STROBING SLOW - FAST LED ON PULSE STROBING SLOW - FAST LED ON RANDOM STROBING SLOW - FAST LED ON
8	0 - 15 16 - 25 26 - 35 36 - 45 46 - 55 56 - 65 66 - 75 76 - 85 86 - 95 96 - 105 106 - 115 116 - 125	PROGRAMS OFF PROGRAM 1 PROGRAM 2 PROGRAM 3 PROGRAM 4 PROGRAM 5 PROGRAM 6 PROGRAM 7 PROGRAM 8 PROGRAM 9 PROGRAM 10 PROGRAM 11

WiFly EXR QA12Bar IP	Operating Instructions
Default Running Mode (Reset):	
This is a default running mode. When this mode is activated all modes will return to their default settings and Auto Run will be activated.	
<ol style="list-style-type: none"> 1. Plug the fixture in and press the MODE until "OTHER" is displayed. 2. Press the SET UP button until "OTHER RESET is displayed. Press the UP and DOWN buttons simultaneously. The unit will now reset to the default settings. If the reset worked correctly, the unit will reset into Auto Run mode. 	
ADJ RFC:	
This function is used to activate and deactivate the ADJ RFC (Remote Control). When this function is activated you can control the fixture using the ADJ RFC. Please see the next page for ADJ RFC controls and functions.	
<ol style="list-style-type: none"> 1. Plug the fixture in and press the MODE button until "OTHER" is displayed. Press the SET UP button until RF:XXX" is displayed. "XXX" represents either ON or OFF. Use the UP or DOWN buttons to turn the remote function either ON or OFF. 	
WiFLY Address Setting/WiFly On/Off:	
This function is used to set the WiFly address and activate/deactivate the WiFly function. The address must match the address that is set to your WiFly TransCeiver or WiFly controller.	
<ol style="list-style-type: none"> 1. Plug the fixture in and press the MODE button until "WIFI SET ADDR: XX" is displayed. "XX" represents a number between 00-15. 2. Use the UP or DOWN buttons to find and set your desired WiFly address. The address must match the address that is set to your WiFly TransCeiver or WiFly controller. 3. After you have found and set your WiFly address, press the SET UP button to activate WiFly. "WIFI SET STAT: XXX" will now be displayed. Use the UP or DOWN button to set the display to "On" to activate WiFly. To deactivate WiFly set the display to "Off". 	
DMX State:	
This mode can be used as a precaution mode, that in case the DMX signal is lost, the operating mode chosen in the setup is the running mode the fixture will go into when the DMX signal is lost. You can also	

WiFly EXR QA12Bar IP**Operating Instructions**

set this as the operating mode you would like the unit to return to when power is applied.

1. Plug the fixture in and press the MODE button until “DMX MODE ADDR:XXX” is displayed.
2. Press the SET UP button until “DMX MODE NO: XXXX” is displayed. “XXXX” represents the current DMX state that is displayed.
3. Use the UP or DOWN buttons to select the operating mode you would like the unit to start up in when power is applied or the DMX signal is lost.

- AUTO - If the DMX signal is lost or power is applied, the unit will automatically into Auto Run.

- BLACK - If the DMX signal is lost or power is applied, the unit will automatically go into stand by mode.

- HOLD - If the DMX signal is lost the fixture will stay in the last DMX set up. If power is applied and this mode is set, the unit will automatically go into the last DMX set up.

Dimmer Curve:

This is used to set the dimming curve used with DMX mode. See page 27 for the different dimming curve chart.

1. Plug the fixture in and press the MODE button until “DMX MODE ADDR:XXX” is displayed.
2. Press the SET UP button until “DELAY:X” is displayed. “X” represents the displayed dimmer curve (0-4).
 - 0 - Standard
 - 1 - Stage
 - 2 - TV
 - 3 - Architectural
 - 4 - Theatre
3. Press the UP or DOWN buttons to scroll through and select your desired dimming curve.

WiFly EXR QA12Bar IP**7 Channel Mode**

Channel	Value	Function
1	0 - 255	RED 0% - 100%
2	0 - 255	GREEN 0% - 100%
3	0 - 255	BLUE 0% - 100%
4	0 - 255	AMBER 0% - 100%
5	0 - 255	COLOR MACROS See the Color Macro Chart on page 25
6	0 - 255	MASTER DIMMER 0% - 100%
7	0 - 31 32 - 63 64 - 95 96 - 127 128 - 159 160 - 191 192 - 223 224 - 255	STROBING LED OFF LED ON STROBING SLOW - FAST LED ON PULSE STROBING SLOW - FAST LED ON RANDOM STROBING SLOW - FAST LED ON

WiFly EXR QA12Bar IP		4 Channel Mode
Channel	Value	Function
1	0 - 255	RED 0% - 100%
2	0 - 255	GREEN 0% - 100%
3	0 - 255	BLUE 0% - 100%
4	0 - 255	AMBER 0% - 100%

WiFly EXR QA12Bar IP		5 Channel Mode
Channel	Value	Function
1	0 - 255	RED 0% - 100%
2	0 - 255	GREEN 0% - 100%
3	0 - 255	BLUE 0% - 100%
4	0 - 255	AMBER 0% - 100%
5	0 - 255	MASTER DIMMER 0% - 100%

WiFly EXR QA12Bar IP Master-Slave Configuration

Master-Slave Configuration:

This function will allow you to link units together to run in a Master-Slave setup. In a Master-Slave set up one unit will act as the controlling unit and the others will react to the controlling units built-in programs. Any unit can act as a Master or as a Slave however, only one unit can be programmed to act as the "Master."

Master-Slave Connections and Settings:

1. Daisy chain your units via the XLR connector on the rear of the unit. Use standard XLR data cables to link your units together. Remember that the Male XLR connector is the input and the Female XLR connector is the output. The first unit in the chain (master) will use the female XLR connector only. The last unit in the chain will use the male XLR connector only.
2. Set the "Master" unit to your desired mode of operation.
3. On the "Slave" units press the MODE button until "Slave Mode" is displayed. The unit is now set as the "Slave" unit. Each slave unit must be set to the same setting.
4. Connect the first "Slave" unit to the "Master", and the "Slave" unit should now start to follow the "Master".

WiFly EXR QA12Bar IP

WiFly Set Up

With this feature you are able to control the unit with DMX without the need of XLR cables. Your DMX controller must be connected to a ADJ WiFly Transceiver to use this function. You are able to communicate up to 2500 feet/760 meters (open line of sight).

1. Follow the instructions on page 12 to set the WiFly address and to activate WiFly. The address must match the address set on the WiFly WiFly Transceiver. **Note: WiFly address 15 operates in a receive only state.**
2. After you have set the WiFly address, follow the DMX instructions on page 9 to select your desired DMX Channel mode and set your DMX address.
3. Apply power to the ADJ WiFly Transceiver. The fixture must be set up first before you apply power to WiFly Transceiver.
4. If everything is set up properly and the fixture is receiving a Wireless signal, you should now be able to control it with a DMX controller.

WiFly EXR QA12Bar IP

WiFly Master-Slave Set Up

This feature will let you link units to run in a master-slave mode without the use of XLR cables.

1. Follow the instructions on page 12 to set the WiFly address and to activate WiFly. The addresses on each fixture must be the same. **Note: WiFly address 15 acts in a operates in a received only state.**
2. After you have set the WiFly address, select your "Master" unit and set your desired operating mode.
3. For the "Slave" unit(s), put the unit in Slave mode. See page 12 Master-Slave configuration when setting the unit as a Slave.
4. If everything is set up correctly, the "Slave" units will start following the "Master" unit.

WiFly EXR QA12Bar IP

ADJ RFC Operation

The **ADJ RFC** remote (sold separately) has many different functions and allows you to control your WiFly EXR QA12Bar IP from long distance. The **ADJ RFC** remote can control your system up to 150 ft. To use the RFC you must first activate the fixtures receiver, to activate the receiver please see the instructions on page 10.

BLACKOUT - Pressing this button will blackout the fixture. Press this button for more then 3 seconds to return to default settings.

AUTO RUN - This button will activate Auto Run. You can control the speed of the Auto Run using the "+" and "-" buttons. Press the FLASH button to activate strobing and use the "+" and "-" buttons to adjust the flash rate.

PROGRAM SELECTION - This button has two functions; it can activate Static Color mode and Program mode. Each press of the button will switch between the two modes. In Static Color mode use the "+" or "-" buttons to scroll through the 64 colors. Once you have found your color, you can press the FLASH button to activate strobing and use the "+" or "-" to adjust the Flash rate. In Program mode, use "+" or "-" buttons to scroll through the 22 different programs. Press the SPEED button and use the "+" or "-" buttons to adjust the program speed. Press the FLASH button to enter strobe mode and use "+" or "-" buttons to adjust the flash rate. Press the FLASH button twice to enter the fade setting and use "+" or "-" buttons to adjust the fade speed.

FLASH - This button will activate the flash (strobe) effect. You can control the flash speed using the "+" and "-" buttons.

SPEED - Press this button and use the "+" & "-" buttons to adjust the speed in Program mode.

SOUND ACTIVE - This button is not used with fixture.

R G B W/A - Press either one of these buttons and use the "+" or "-" to adjust the brightness. Press the FLASH button to activate strobing and use the "+" or "-" buttons to adjust the Flash rate.

“+” and “-” - Use these buttons to adjust the flash rate, select your desired program, adjust the program speed, Auto Run fade speed, RGBA brightness, and to scroll through the Static colors.