



## AP-5102 High Power Cinema Surround Loudspeaker

### Features

- Very high output loudspeaker for immersive sound surround formats
- DMT™ (Directivity Matched Transition) ensures smooth, coherent power response throughout the listening area
- Axisymmetric horn
- 10" (254mm) woofer with 3.0" (76mm) voice coil
- 3.0" (76mm) voice coil compression driver
- M10 threaded inserts and yoke mount fittings offer flexible and safe deployment options for a variety of applications
- NL4 Speakon™ connector and covered barrier strip terminals
- Bi-Amp / Passive switchable
- 15-ply Baltic birch plywood construction



The new immersive sound surround formats place greater performance demands on surround loudspeakers in terms of frequency response, output capability, and mounting flexibility. QSC's AcousticPerformance™ series loudspeakers meet these challenges with headroom to spare.

The AP-5102 Acoustic Performance Cinema Surround Loudspeaker features a high power-capacity, 3" (76mm) diaphragm compression driver and a 10" (254mm) woofer to deliver exceptional full bandwidth reproduction.

The uniform power-response of this loudspeaker is a result of DMT™ (Directivity Matched Transition), a design approach that matches LF and HF coverage in the crossover region. Another key to the extraordinary accuracy and flat power response of the AP-5102 is the axisymmetric waveguide which provides uncompromised performance in both the vertical and horizontal axes. The AP-5102 provides coverage over an extremely wide 105° angle, ideal for applications where you need to cover a large seating area in a room with low ceiling height.

The AP-5102 may be used as a passive (full-range) loudspeaker to minimize amplifier channel count or it may be bi-amplified for greater control and performance. To further enhance performance, bi-amp and full-range tunings using QSC Intrinsic Correction techniques are available for Q-Sys and future QSC products.

The AP-5102 enclosure features M10 mounting points for suspension via eye-bolts as well as mount points for an optional yoke bracket.

# AP-5102 Details

System Hardware	AP-5102
Frequency Range (-10dB) <sup>1</sup>	60 Hz to 18 kHz
Rated Noise Power (Voltage) <sup>2</sup>	450 W continuous (60 V rms)
Sensitivity <sup>3</sup>	94 dB, 1W@1m
Rated Coverage Angle (-6 dB)	105° Axisymmetric
Maximum Rated SPL <sup>4</sup>	121 dB @ 1m, continuous 127 dB @ 1m, peak
Rated Impedance	8Ω
Recommended Amplifier Power	720 Watts
HF Transducer	3" (76 mm) voice coil compression driver
LF Transducer	10" (254 mm) driver with 3" (76 mm) voice coil
<b>Enclosure Details</b>	
Input Connector	4-position barrier strip, accepts up to #10 AWG stranded wire, NL4 connector
Enclosure Material	15-ply Baltic birch plywood
Grille	16 Gauge powder coated steel
<b>Environmental</b>	
Dimensions (HxWxD)	22" x 12" x 10.5" (559 mm x 305 mm x 267 mm)
Net Weight	48 lb (21.7 kg)
Shipping Weight	53 lb (24 kg)
Included Accessories	M10 threaded inserts
Optional Accessories	AP-YM10 Yoke mount, M10 Kit-W

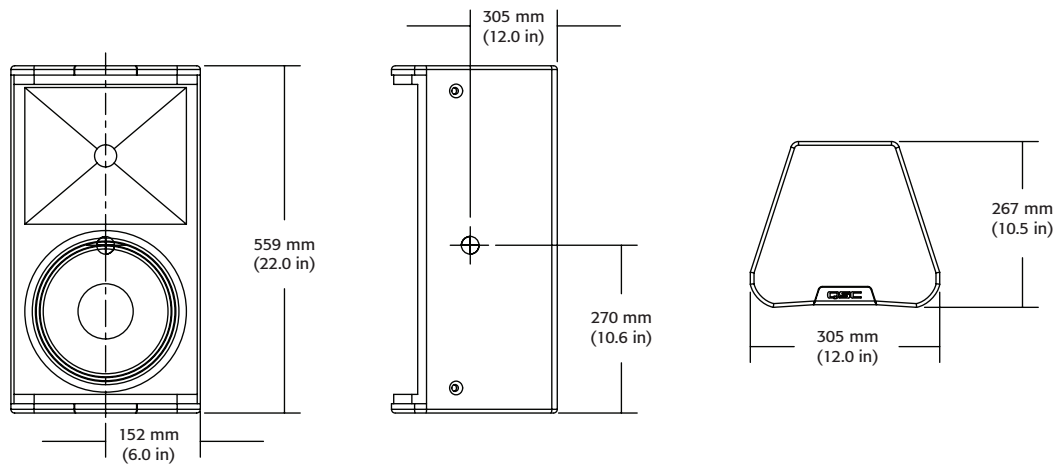
As part of QSC's ongoing commitment to product development, specifications are subject to change without notice.

<sup>1</sup> Free-field, -10 dB from on-axis sensitivity

<sup>2</sup> IEC60268-1 noise signal for 2 Hrs

<sup>3</sup> On-Axis, free-field sensitivity, 2.83V, 1 m

<sup>4</sup> Calculated from rated noise voltage and sensitivity



Specifications subject to change without notice.

# QSC™

1675 MacArthur Boulevard • Costa Mesa, CA 92626 • Ph: 800/854-4079 or 714/957-7100 • Fax: 714/754-6174



please recycle

© 2013 QSC Audio Products, LLC. All rights reserved. QSC and the QSC logo are registered trademarks of QSC Audio Products, LLC in the U.S. Patent and Trademark office and other countries. DMT is a trademark of QSC. Speakon is a registered trademark of Neutrik